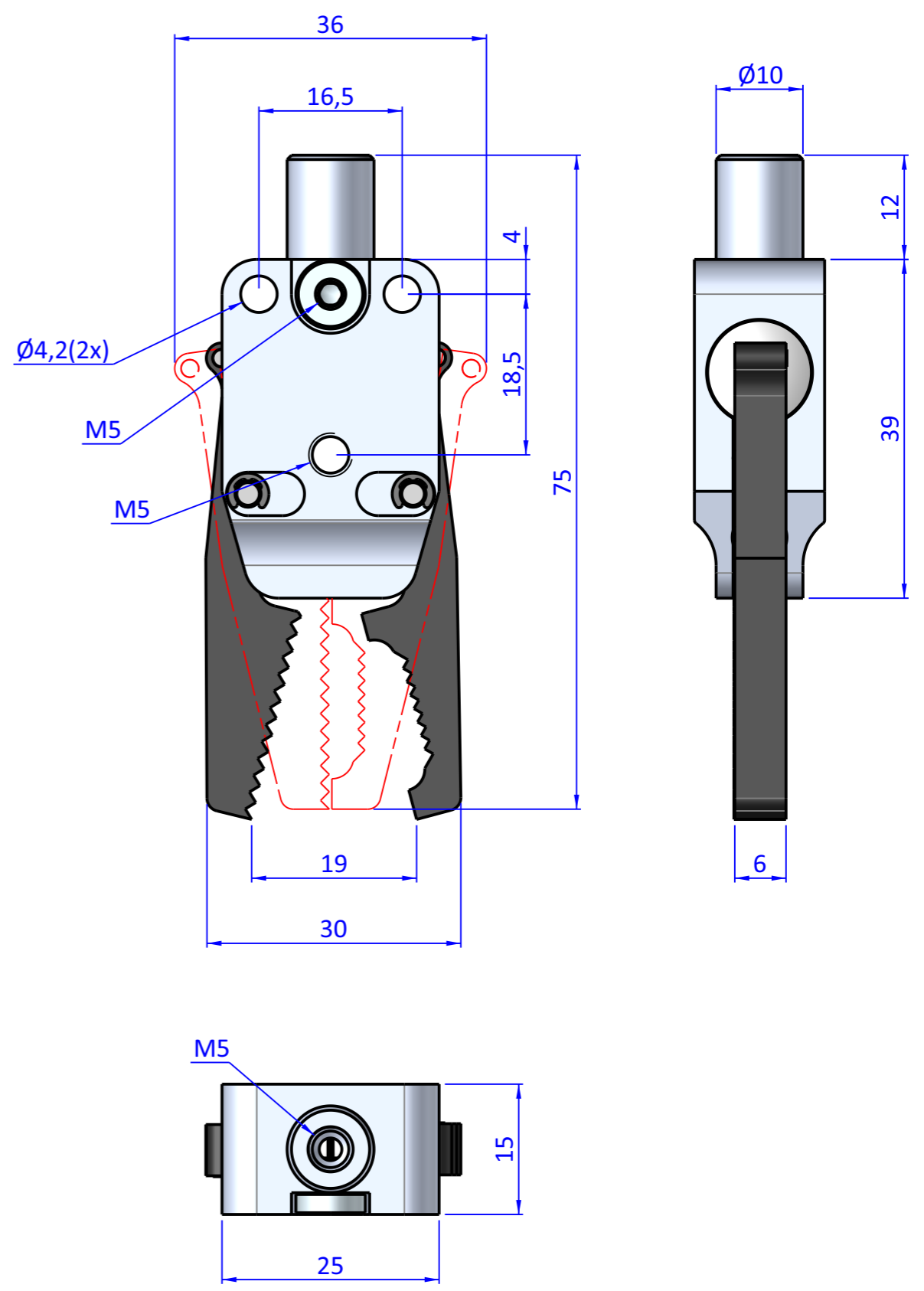
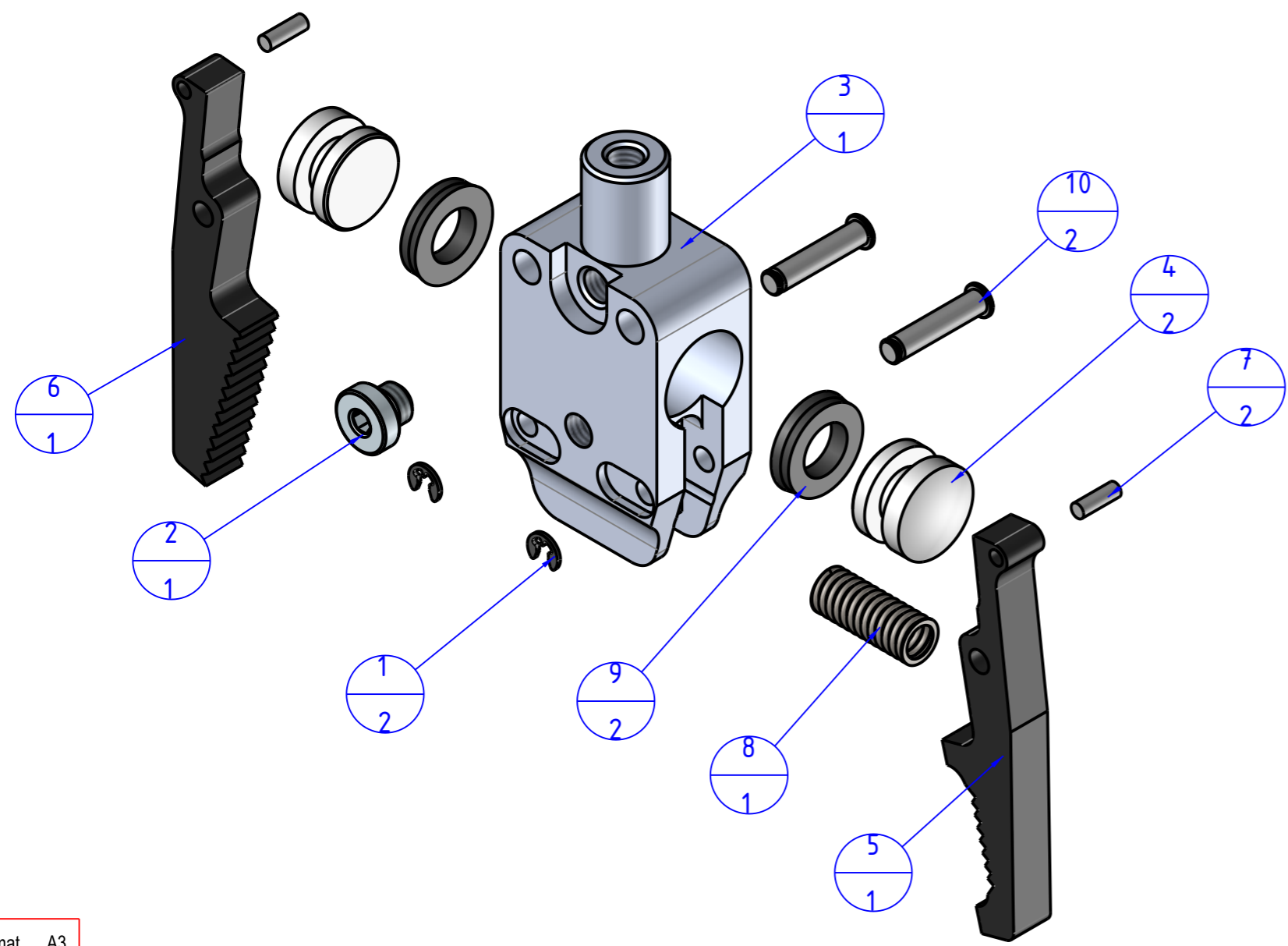



THE PROPERTY OF THE DRAWING IS ESTABLISHED BY LAW. IT IS FORBIDDEN TO PRODUCE OR SHOW IT TO THIRD PART. WITHOUT A WRITTEN AGREEMENT.

Name	Item	Qty.
A.ELA.RA1.9	1	2
CA.08.14.013	2	1
GZA.10.12.1.L.01	3	1
GZA.10.12.2	4	2
GZA.10.12.3.14	5	1
GZA.10.12.3.M	6	1
GZA.10.12.9	7	2
M.6x25.SH	8	1
PSP.1269255	9	2
SP.3x15SS	10	2



Format A3
UNI 936-76

 FPS SERVICES AUTOMATION		DESIGNED FROM		REVIEW
		FPS Automation		A
GENERAL TOLERANCE		DATE	WEIGHT	
UNI - ISO 2768		29/05/2023	0,037kg	
CLASSE f		CODE	CA.GZA.10.12.101	
		CA.GZA.10.12.101		